

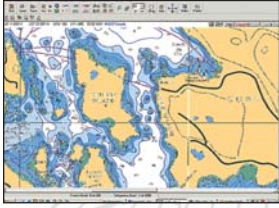
ComNav[®]



Class B AIS Transceiver Mariner X2 Automatic Identification System

Enhanced Safety and Security at Sea

- Safety — See and be seen using your on-board chart plotter
- Display graphically AIS target overlay on standard radars and multifunction chart displays
- Wireless exchange — Navigation status between vessels and shore traffic monitoring centers
- Vessel monitoring of Class A and Class B Transmissions over standard VHF frequencies
- Easily set up to automatically transmit a safety related message reducing search and rescue times
- Allows fleet of vessels to be efficiently monitored and port traffic better managed
- Type approvals: FCC and USCG standard in USA, EU Type in Europe, and IEC certified in Canada
- IP67 waterproof enclosure design with marine grade connectors
- Shock and vibration resistant to stringent commercial standards
- Standard NMEA 0183 interface using RS232 for PC and PDA chart applications
- Silent mode — User selectable
- Built-in 16 channel GPS receiver with antenna
- LED status indicators
- Includes Pro AIS software for AIS message broadcast entailing MMSI (Maritime Mobile Service Identifier), vessel name, course, speed and other important navigation data
- Easily upgradeable through PC software and via RS232
- Meets CE requirements
- 1 year warranty



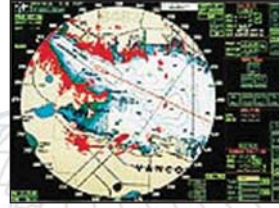
Safety

AIS improves safety on water through enhanced navigation awareness and reduces search and rescue times.



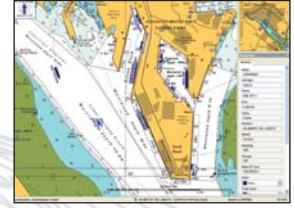
Security

AIS helps to identify and track vessels and improve border security. Improve coast guard response time by transmitting precise navigation data.



Vessel Monitoring

AIS enables automatic control and intruder or vessel movement alerts within designated areas.



Port Vessel Traffic Management

AIS enables port traffic management by using precise tracking and identification data.

SPECIFICATIONS:

Operating Voltage: 10 to 15 VDC

Power Consumption: Average 0.35 Amps, 2 Amps Peak

NMEA0183 Interface: 38.4k baud bi-directional

RS232 Interface: 38.4k baud bi-directional

Operating Temperature: -25°C to +55°C

CONNECTIONS

VHF Antenna connector: SO-239

GPS Antenna connector: TNC

RS232 Data connector: Female 9 Way D-type

NMEA 0183 data: Color coded conductors

External switch: Color coded conductors

VHF TRANSCEIVER

Transmitter: Single

Receivers: Dual (one time shared between AIS and DSC)

Frequency Range: 156.025MHz – 162.025MHz

Channel Bandwidth: 25KHz

Power Output: 33dBm +/- 1.5 dB

Modulation: 25KHz GMSK / 25KHz AFSK

Data Rate: 9600 bps GMSK & 1200 bps FSK

RX Sensitivity: <-107dBm @ 20% PER

Compliance: FCC, USCG, Type EU, IEC, CE, RoHS

Standards and Approvals: IEC60945 Cat C

IEC62287-1 Class B Shipborne equipment

IEC60945 Environmental

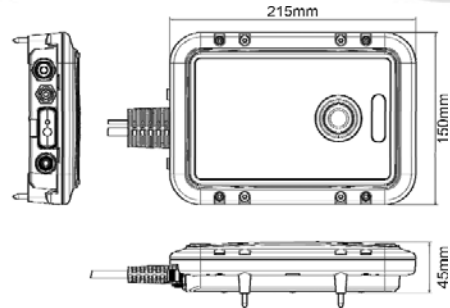
ITU-RM.1371-1 Universal AIS Technical

IEC61162-1 IEC Digital Interfaces

IEC61108-1 IEC GPS Receiver



DIMENSIONS: 215mm x 150mm x 45mm / 8.5" x 5.9" x 1.8"



ADDITIONAL FEATURES:

- Auto configuration and set up software
- Data display for MMSI, vessel name, call sign, vessel type, etc.
- Auto configuration for safety related message
- GPS display of position, COG and SOG
- GPS diagnostics and satellite signal bar chart
- Key status indicators
- Shows Transponder software and firmware version
- Displays receiver and transmitter statistics
- Displays Class A, Class B, base station and A to N target data
- Real time display for serial data output
- Ability to log data to file

ComNav®



ComNav Marine Ltd.

#15-13511 Crestwood Place,
Richmond, British Columbia • Canada • V6V 2G1

Phone: 604-207-1600 • Fax: 604-207-8008

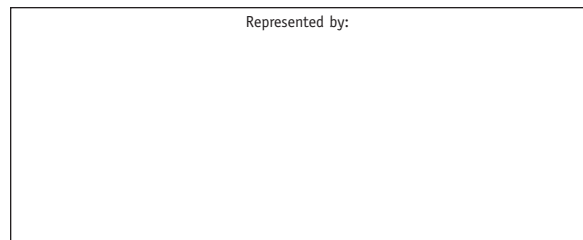
E-mail: sales@comnav.com

www.comnav.com

Worldwide Service

Printed in Canada

Represented by:



Specifications subject to change without notice