

40/40 Digital Display Installation Guide



INTRODUCTION

The 40/40 is a fully programmable, single function, large digit, display which may be installed anywhere in the yacht, or with the use of special brackets the unit may be mast-mounted.

Note: If the unit is to be mast-mounted, a grommet must be fitted to prevent the cable chaffing on the surrounding structure.

To avoid electromagnetic interference, it is recommended that the Display be installed no less than 0.3 metre from a compass and at least 1 metre from the GPS antenna.

There are two types of 40/40 Display Unit the Mk1 and the Mk2:

Mk 1 Main Features: Carbon Fibre Finish, rectangular screen



Mk2 Main Features: New shape screen, less angular case



INSTALLATION

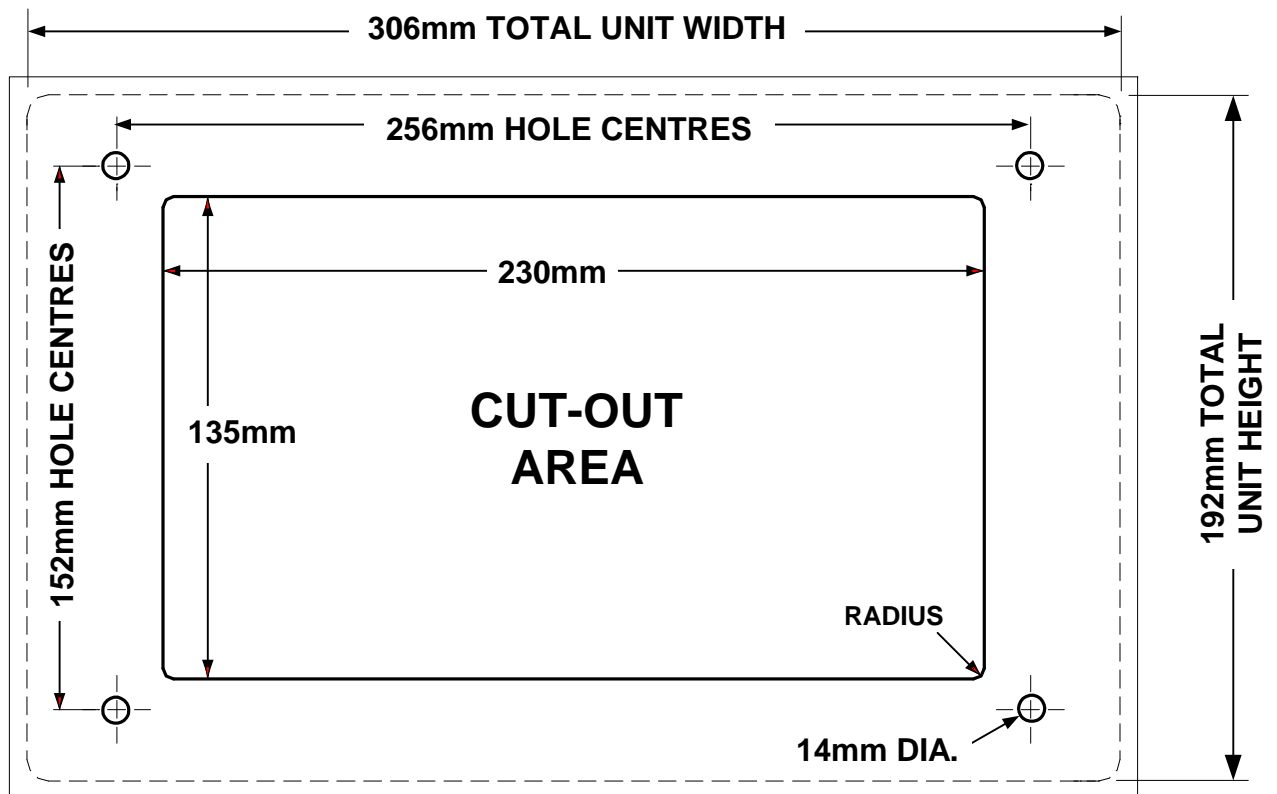
Mk 1 Display Unit

If you are intending to 'Flush-mount' the Display, ensure there is sufficient room behind the panel to accommodate the fixings and connections when choosing the site for your installation.

Use the template supplied with your unit to mark and cut the holes in the panel in the desired position. Peel the protective film from the adhesive side of the sealing gasket and position the gasket on the mounting panel.

Caution: To avoid damaging the casing, the fixing studs must only be fitted 'finger-tight'.

Screw the four fixing studs supplied into the threaded holes in the rear of the Display unit. Fit the Display Unit into the cut-out, place the washers supplied over the fixing studs, and secure the unit in position using the thumbnuts supplied.



CAUTION: THIS DIAGRAM IS NOT DRAWN TO SCALE
Use the template supplied with your unit for cut-out/drill hole positions

Mk 2 Display Unit

If you intend to 'Flush-mount' the Display, ensure there is sufficient room behind the panel to accommodate the fixings and connections when choosing the site for your installation.

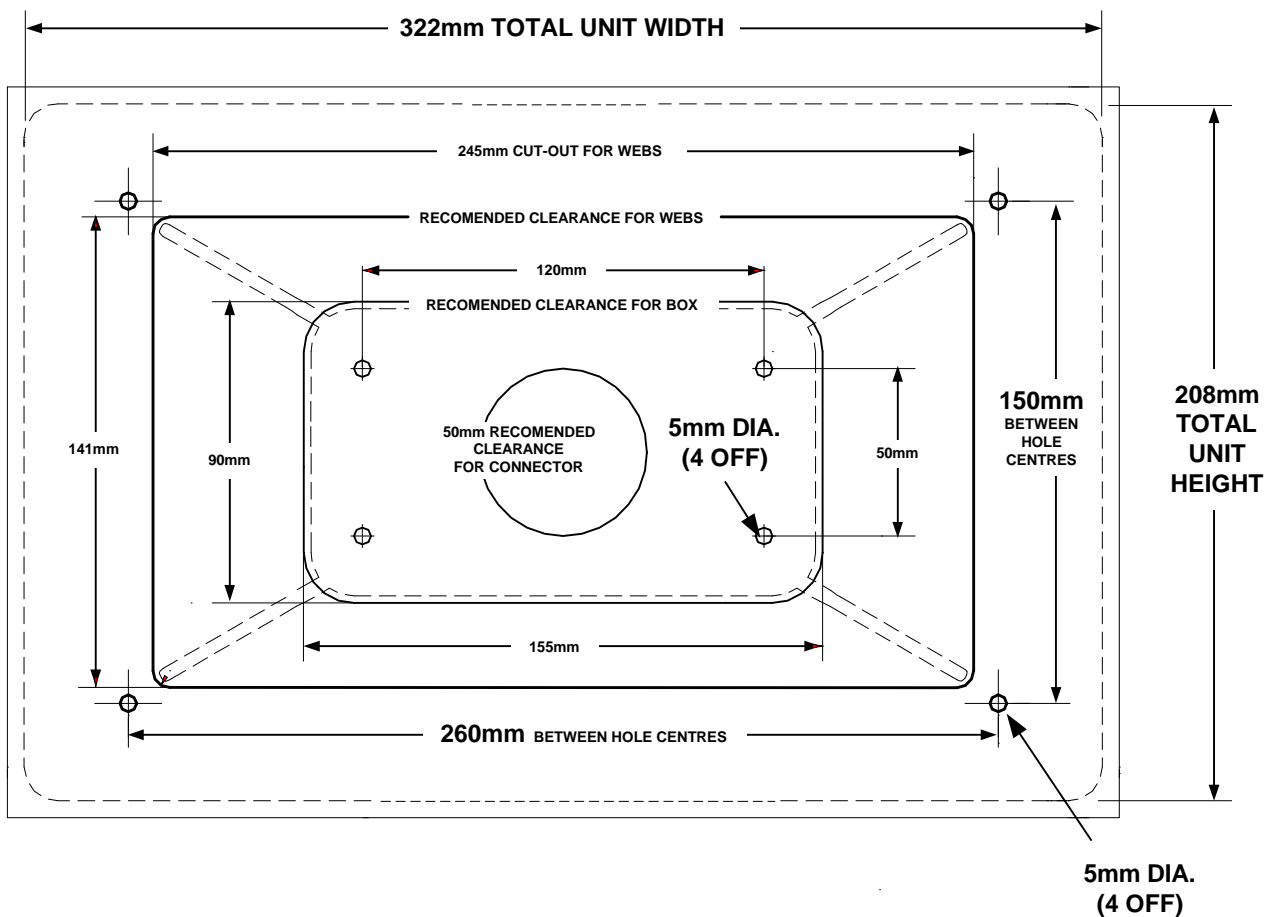
Use the template supplied with your unit to mark and cut the holes in the panel in the desired position. Peel the protective film from the adhesive side of the sealing gasket and position the gasket on the mounting panel.

Note: When re-fitting a MK2 Display unit in place of a Mk1 type, ensure that the mounting holes are re-drilled to match the positions given on the Mk2 Display template.

Failure to comply may result in damage to the Unit and could invalidate your warranty.

Caution: To avoid damaging the casing, the fixing studs must only be fitted 'finger-tight'.

Screw the four fixing studs supplied into the threaded holes in the rear of the Display unit. Fit the unit into the cut-out, place the washers supplied over the fixing studs, and secure the unit in position using the thumbnuts supplied.



CAUTION: THIS DIAGRAM IS NOT DRAWN TO SCALE
Use the template supplied with your unit for cut-out/drill hole positions