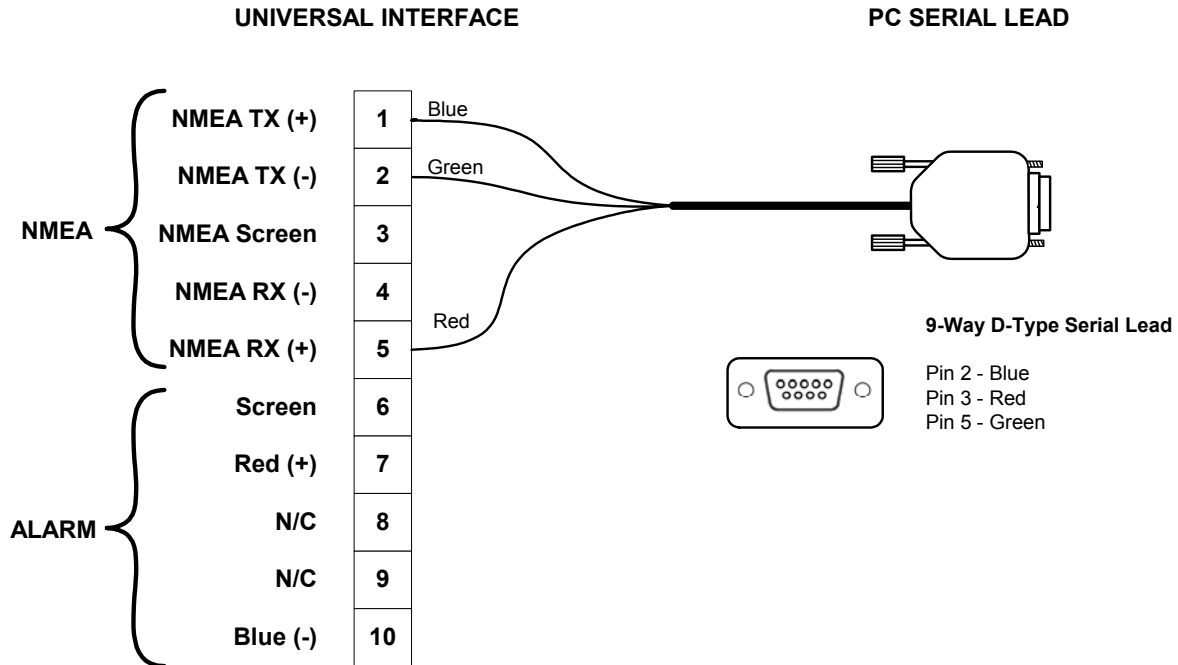

Connection Details for the h1000 Universal Interface to a PC Serial Port



Any questions relating to this information should be directed to the Technical Services department.

B&G Technical Services
Premier Way
Abbey Park
Romsey
Hampshire
SO51 9AQ
UK